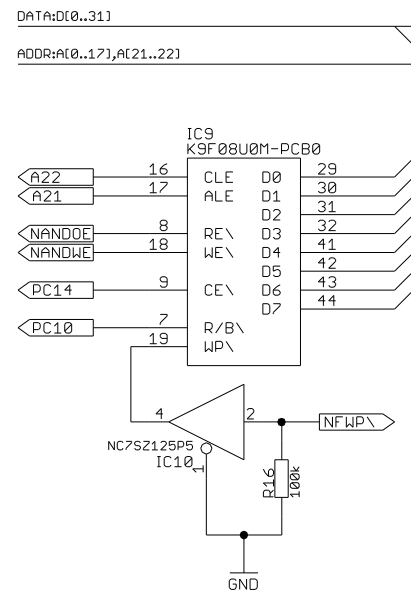


Ethernet 5.0 Rev-B
 CPU
 JTAG Interface
 RS232 Interface
 USB Interface
 Real Time Clock

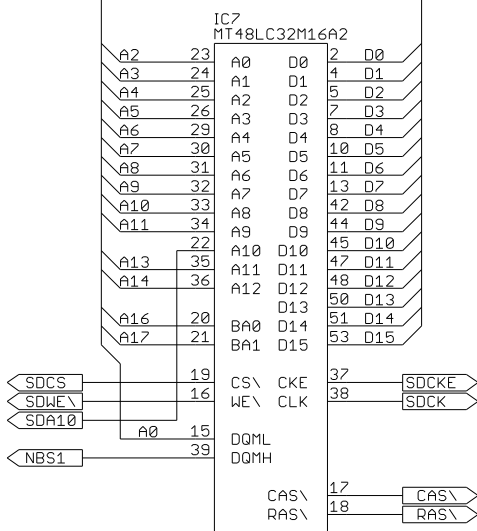
egnite

enu50b
 07.05.2008 13:22:48
 Sheet: 1/4

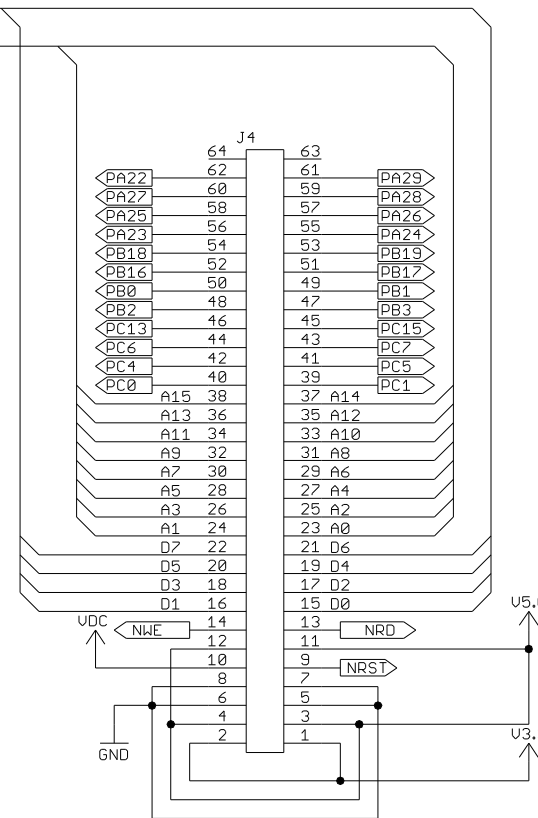
1GB NAND Flash



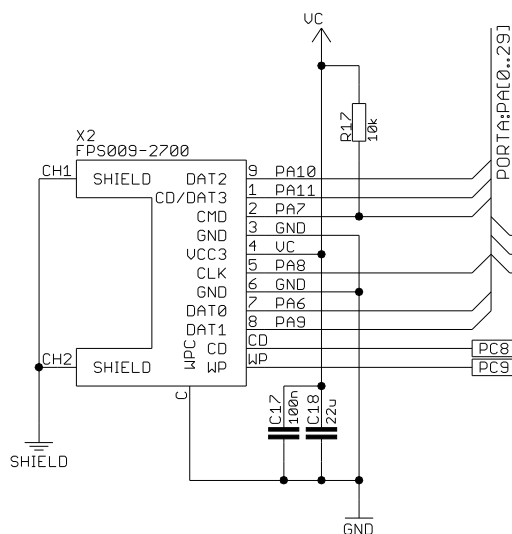
128MB SDRAM



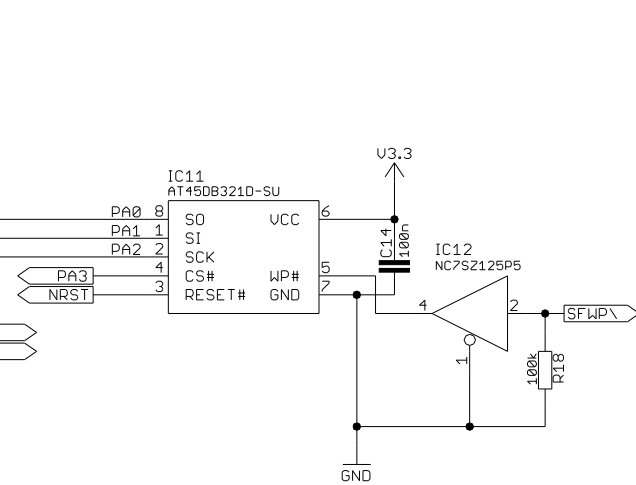
Ethernet Expansion Port



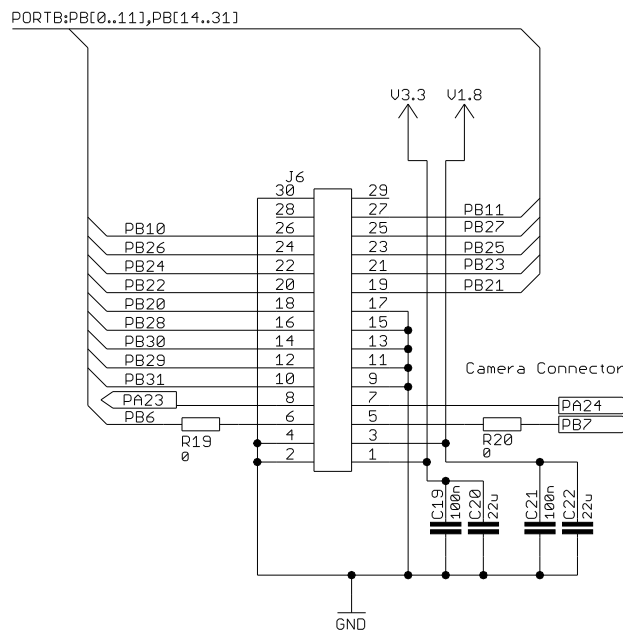
MultiMedia/SD Card



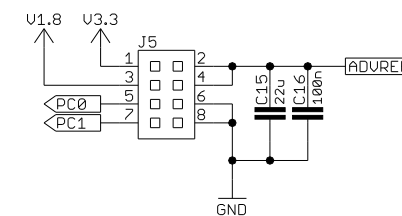
4MB Serial Flash




Camera Port



Analog Port

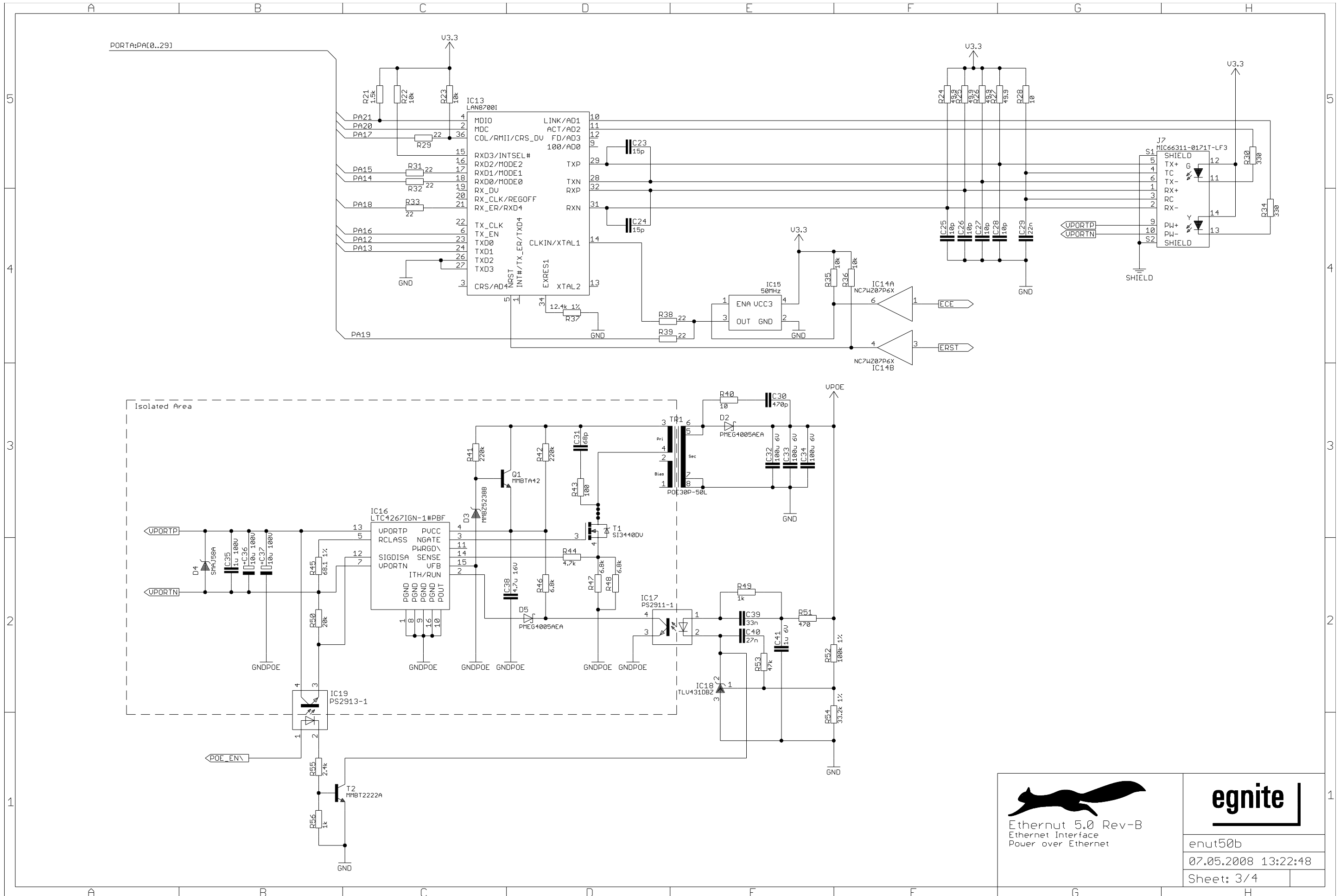





Ethernet 5.0 Rev-B
 SDRAM
 NAND Flash
 Serial Flash
 MMC Socket
 Expansion Ports

egnite

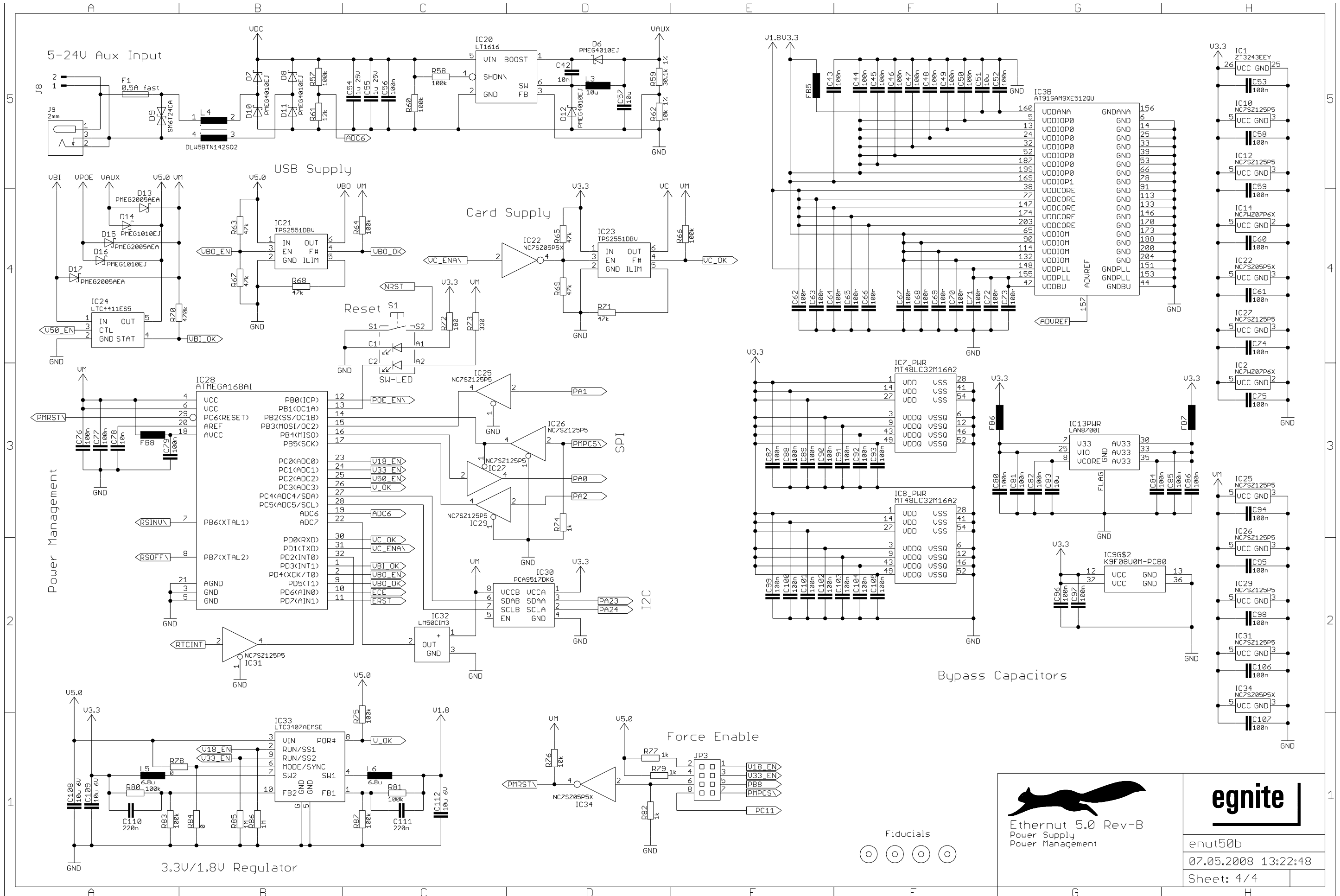
enut50b
 07.05.2008 13:22:48
 Sheet: 2/4





Ethernut 5.0 Rev-B
Ethernet Interface
Power over Ethernet

egnite	
enu50b	
07.05.2008 13:22:48	
Sheet: 3/4	



Ethernet 5.0 Rev-B
Power Supply
Power Management

enu50b
07.05.2008 13:22:48
Sheet: 4/4

